



Opti Max[®]

Opti Max2100 1 GHz Segmentable Cabinet Node



The ARRIS Opti Max2100 1 GHz Segmentable Cabinet Node is the next generation of the proven and reliable Opti Max2000 node. This fiber-deep, segmentable node has extended bandwidth up to 1 GHz and accommodates 2 x 2 forward segmentation and 4 x 4 return segmentation.

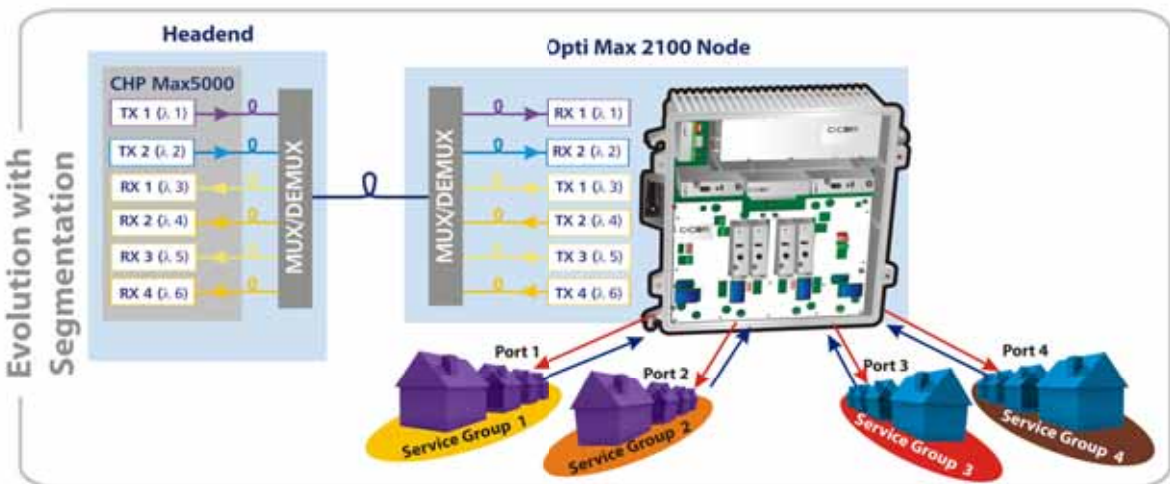
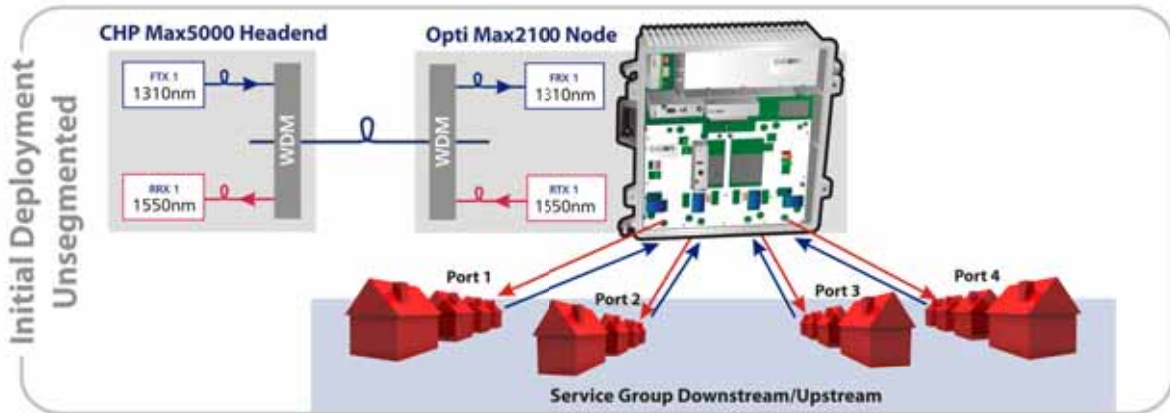
Features

- 1 GHz fiber deep node with two active outputs user-configurable to four outputs
- Two independent forward receivers and four independent return transmitters with the possibility of 2 x 2 forward segmentation and 4 x 4 return segmentation
- Optical redundancy with 1 x 2 forward configuration and up to 2 x 2 return segmentation
- Field upgradeable for easy, pay-as-you-grow migration from configuration to configuration
- Reference carrier generator for return path adjustment integrated into each transmitter
- Optical AGC with -6 to 0 dBm and -3 to 3 dBm optical ranges
- ValueMax transponder (HMS/AM protocols)
- Plug-in diplex filters for future upgrades
- Robust GaAs technology for superior system performance
- Family of ITU grid analog CWDM return transmitter options available

Opti Max2100 1 GHz Segmentable Cabinet Node

Solution

Broadband service providers worldwide are continually pressured to increase the capacity of their HFC networks to provide more HDTV channels, ever-increasing data download and upload speeds, business services, VoIP, and digital simulcast. The ARRIS segmentable Opti Max2100 is the ideal choice for broadband service providers with cabinet-mount HFC architectures who need to cost effectively expand their network capacity while responding to the requirements of tomorrow's services.



www.arrisi.com

Find more information about the Opti Max 2100 1 GHz Segmentable Cabinet Node:

- Opti Max 2100 1 GHz 1 GHz Segmentable Cabinet Node Technical Specifications (Publication Code: OM2100_TS.pdf)

Customer Care—Contact Customer Care for product information and sales:

United States: 866-36-ARRIS International: +1-678-473-5656

The capabilities, system requirements and/or compatibility with third-party products described herein are subject to change without notice. ARRIS, the ARRIS logo, Auspice®, C3™, C4®, C4c™, Cadant®, C-COR®, CHP Max™, CHP Max5000™, ConvergeMedia™, Cornerstone®, CORWave™, CXM™, D5®, Digicon®, ENCORE®, Flex Max®, HEMI®, Keystone™, MONARCH®, MOXI®, n5®, nABLE®, nVision®, OpsLogic®, OpsLogic® Service Visibility Portal™, PLEXIS®, PowerSense™, QUARTET®, Regal®, ServAssure™, Service Visibility Portal™, TeleWire Supply®, TLX®, Touchstone®, EGT VIP®, VoiceAssure™, VSM™, and WorkAssure™ are all trademarks of ARRIS Group, Inc. Other trademarks and trade names may be used in this document to refer to either the entities claiming the marks and the names of their products. ARRIS disclaims proprietary interest in the marks and names of others. © Copyright 2010 ARRIS Group, Inc. All rights reserved. Reproduction in any manner whatsoever without the express written permission of ARRIS Group, Inc. is strictly forbidden. For more information, contact ARRIS.



www.arrisi.com