



FTTMax™ RFoG Optical Network Unit (ONU) FTTM1000/2000



Features

- 1 GHz Optical Network Unit (ONU)
- Converts optical signals to RF at the customer premises
- Small form factor and less than 4 watts power consumption
- 1 RU rack mount form factor option for commercial applications
- FP or DFB laser technology
- 1310/1550 nm or 1610/1550nm optical channel plans available
- Built in EPON upgrade port available
- Tested in accordance with SCTE 174
- AC adapter * with USA or European plugs
- Optical automatic gain control (AGC)
- Burst mode upstream transmission
- LED indicators

* Coax power jumpers not included. Customized jumpers available – please contact your authorized ARRIS professional.

In today's business climate, cable operators must have investment protecting, cost effective, scalable solutions that leverage existing infrastructure. These solutions create viable and sustainable networks that generate new revenues, maximize ROI, and drive subscriber satisfaction. With the ARRIS fiber solutions, cable operators can now supply greenfield communities and small to medium businesses with video, voice, and data at DOCSIS® speeds, and quickly "light up" MDUs and rural communities in an economical fashion.

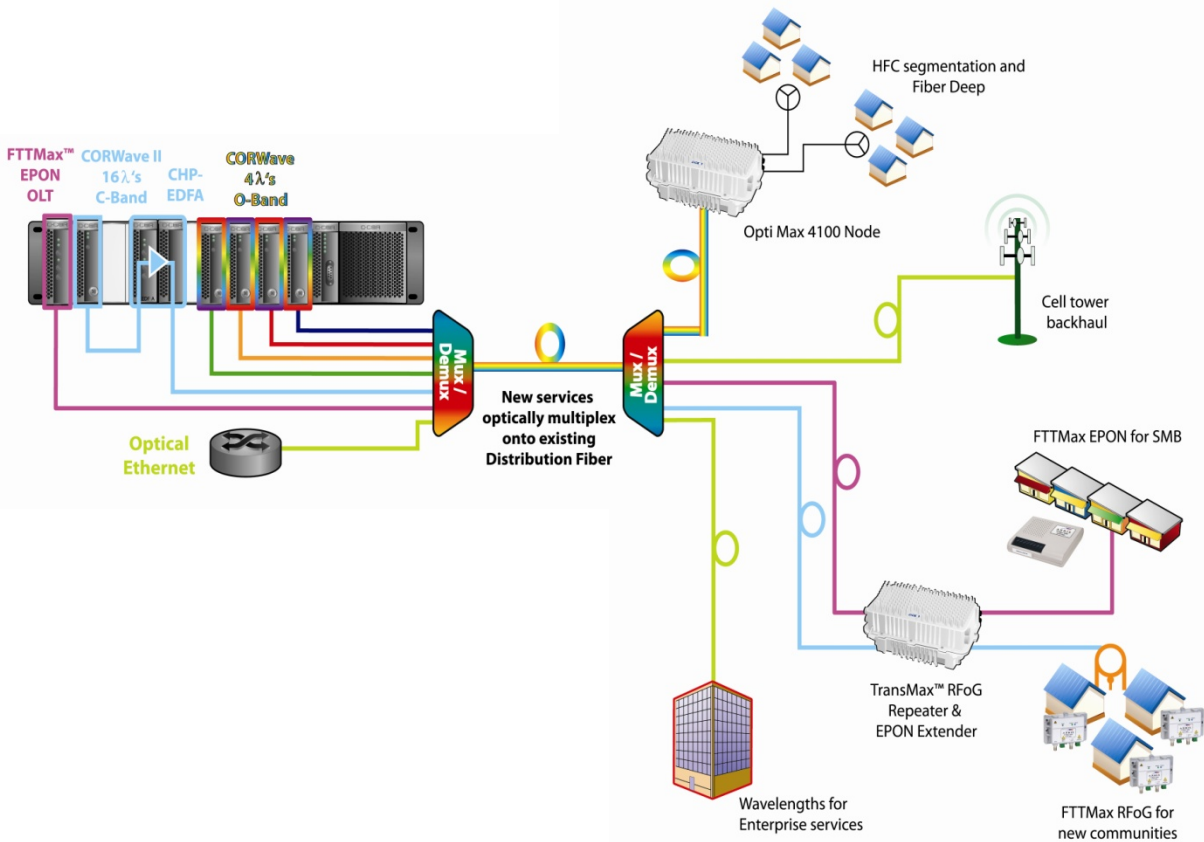
The FTTMax RFoG Optical Network Unit (ONU) is part of the ARRIS fiber to the premises solutions portfolio. The FTTMax RFoG ONU is a 1 GHz optical network unit that converts optical signals carrying voice, video and data to RF signals at the customer premises. The EPON upgrade port option allows RFoG ONUs to pass Gigabit EPON wavelengths to support separate EPON services on the same fiber network without additional optical passives. Combined with the CORWave™ II multi wavelength transmitters, a wide selection of optical passives, Trans Max™ RFoG repeaters, and CHP low noise return receivers, the FTTMax RFoG ONU leverages existing HFC infrastructure and back office systems to provide cable operators with the ability to extend their fiber network easily, incrementally, and economically.

Additional Products for FTTMax Fiber Solutions

ARRIS offers a complete line of products for fiber solutions, including CORWave II transmitters, EDFAs, hardened field hubs, CHP low noise dual return receivers, and optical passives. For high speed data applications, ARRIS provides FTTMax EPON Optical Line Terminals (OLT) in a single wide module for the CHP Max™ 5000 chassis, and a variety of EPON Optical Network Units (ONUs) for data, voice and data, and voice, video and data services.

FTTMax™ RFoG ONU

The ARRIS FTTMax RFoG solution leverages existing HFC infrastructure and back office systems to provide cable operators with the ability to extend their fiber network easily, incrementally, and economically.



The capabilities, system requirements and/or compatibility with third-party products described herein are subject to change without notice. ARRIS, the ARRIS logo, Auspice®, C3™, C4®, C4c™, Cadant®, C-COR®, CHP Max5000®, ConvergeMedia™, Cornerstone®, CORWave™, CXM™, D5®, Digicon®, ENCORE®, EventAssure™, Flex Max®, HEMI®, Keystone™, MONARCH®, MOXI®, n5®, nABLE®, nVision®, OpsLogic®, OpsLogic® Service Visibility Portal™, PLEXIS®, PowerSense™, QUARTET®, Regal®, ServAssure™, Service Visibility Portal™, TeleWire Supply®, TLX®, Touchstone®, VIPr™, VSM™, and WorkAssure™ are all trademarks of ARRIS Group, Inc. Other trademarks and trade names may be used in this document to refer to either the entities claiming the marks and the names of their products. ARRIS disclaims proprietary interest in the marks and names of others. © Copyright 2011 ARRIS Group, Inc. All rights reserved. Reproduction in any manner whatsoever without the express written permission of ARRIS Group, Inc. is strictly forbidden. For more information, contact ARRIS.



www.arrisi.com